

INSTALLATION INSTRUCTIONS

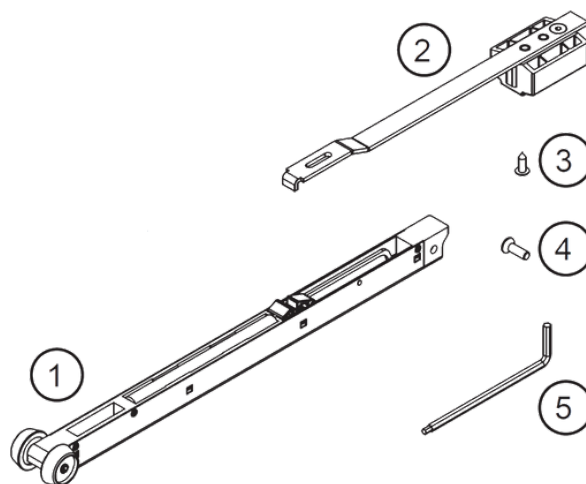
Soft Closer 120kg

Triline's 120 soft close accessory is available for Hercules, Zero Clearance, Frameless Glass cavity sliders with doors weighing up to 120kg.

They can be installed at time of cavity door installation or at a later date.

1. COMPONENTS

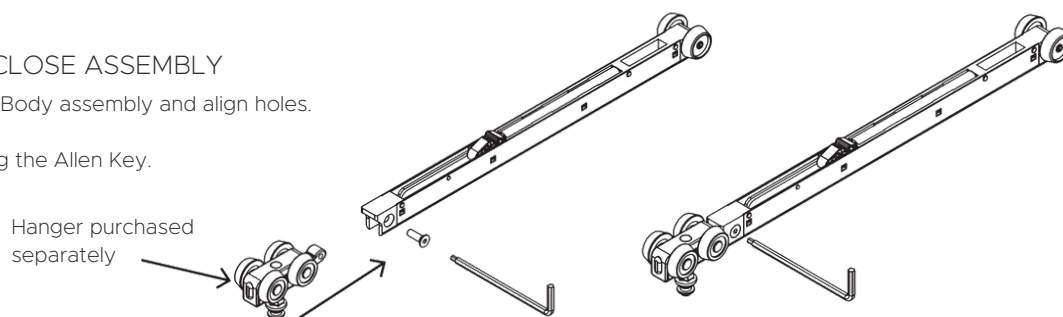
- 1. 1 x Body Assembly
- 2. 1 x Catch Plate Actuator Assembly
- 3. 1 x Screw 8Gx1/2"
- 4. 1 x Screw M5x16 Hex
- 5. 1 x Allen Key 3 & 4mm



2. HANGER & SOFT CLOSE ASSEMBLY

Insert the Hanger into the Body assembly and align holes.

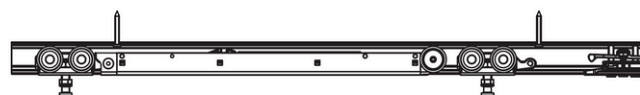
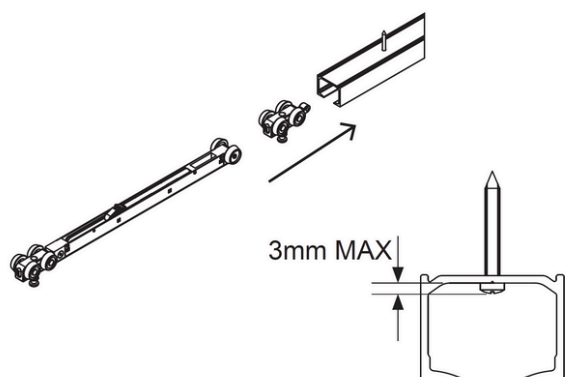
Thread the M5 screw using the Allen Key.



3. HANGER ASSEMBLY

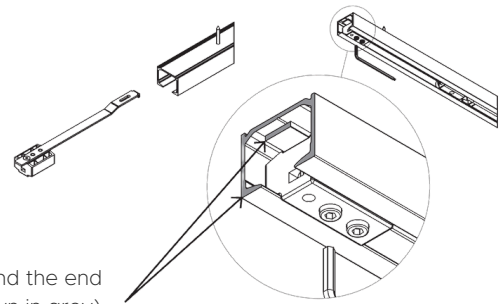
Assemble body and hanger assembly into the track.

Ensure that all components are in the correct direction. (Soft close direction in the diagram below is from right to left.)



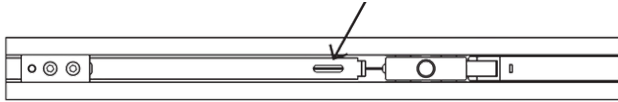
4. FIX CATCH PLATE INTO THE TRACK

Insert the catch plate into the track and secure by tightening the 2 screws.

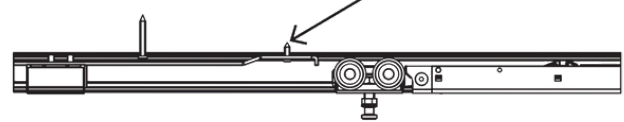


Ensure the end of the plate and the end of the track are aligned, (shown in grey).

Drill the pilot hole in the track using the slot as a template.

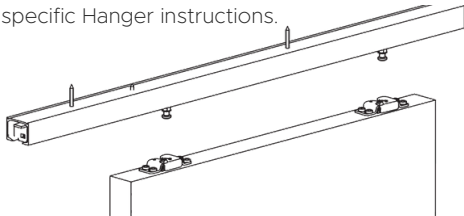


Fix the the catch plate using the 8G screw.

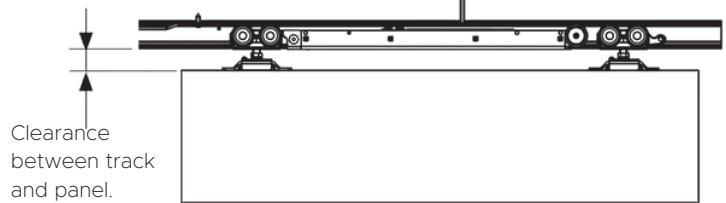


5. ATTACH PANEL TO HANGER

Carefully attach the Panel to the Hanger. Refer to the specific Hanger instructions.



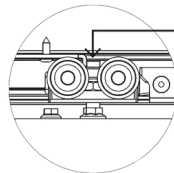
Adjust the height to make sure the clearance between panel and track are in specification as shown below.



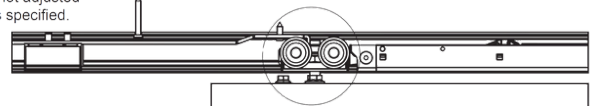
CLEARANCES	Hercules 120 Hanger	Zero Clearance 120 Hanger	Frameless Glass Hanger
120F Type Track	14-20mm	7-13mm	7-13mm

WARNING

The Hercules hanger is factory set with a minimum clearance which is less than the clearance required for soft close. Failure to adjust could result in damage to the catch plate and hanger.

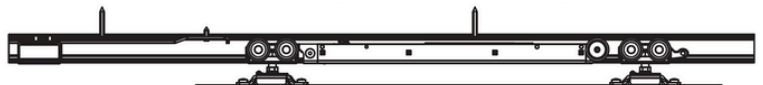
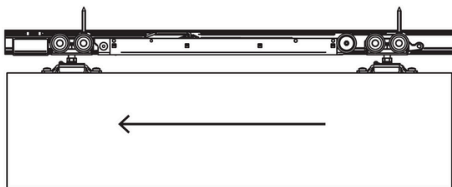


This bolt will hit the catch plate if not adjusted as specified.



6. PRIME THE SOFT CLOSE

Slowly move the panel in the closed direction until hearing a click sound.



Slowly move the panel to the open position and the soft close should be primed and ready for use.



7. FINE ADJUSTMENT OF THE GAP BETWEEN THE PANEL AND THE JAMB

The gap between the panel and the jamb when the panel is closed should be 3mm.

Adjust the position of the Catch Plate as necessary to achieve the 3mm.

